



MC13022A

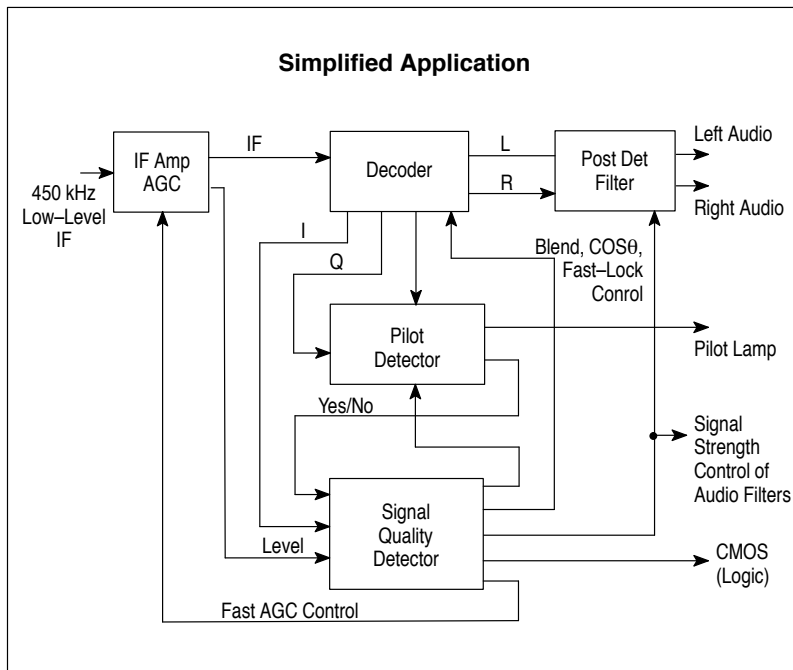
Advance Information Advanced Medium Voltage AM Stereo Decoder

The MC13022A is designed for home and automotive AM stereo radio applications. The circuits and functions included in the design allow implementation of a full-featured C-QUAM® AM stereo radio with relatively few, inexpensive external parts. It is available in either 28-lead DIP or EIAJ compatible wide-bodied 28-lead SOIC. Functionally, the MC13022A and MC13022 are very similar. The MC13022A has 10 dB more audio output and a CMOS compatible logic level output (Pin 15) for stop sense. The stop sense/AGC function has been internally connected to the output notch filter control.

- Operation from 6.0 V to 10 V Supply with Current Drain of 20 mA Typ
- IF Amplifier with Two Speed AGC
- Post Detection Filters that Allow Automatic Adjustable Audio Bandwidth Control and Notch Filtering (9.0 or 10 kHz)
- Signal Quality Controlled Stereo Blend and Noise Reduction
- Noise and Co-Channel Discriminating Stop-On-Station
- Signal Strength Indicator Output for Stop Sense and/or Meter Drive
- Signal Strength Controlled IF and Audio Bandwidth
- Noise Immune Pilot Detector Needs no Precision Filter Components
- MC13025 Complementary Electronically Tuned Radio Front End
- CMOS Compatible Driver for Stop Sense

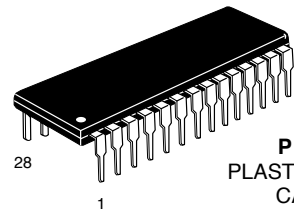
C-QUAM is a registered trademark of Motorola, Inc.

The purchase of the Motorola C-QUAM® AM Stereo Decoder does not carry with such purchase any license by implication, estoppel or otherwise, under any patent rights of Motorola or others covering any combination of this decoder with other elements including use in a radio receiver. Upon application by an interested party, licenses are available from Motorola on its patents applicable to AM Stereo radio receivers.

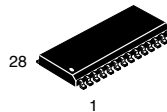


C-QUAM ADVANCED MEDIUM VOLTAGE AM STEREO DECODER

SEMICONDUCTOR TECHNICAL DATA



P SUFFIX
PLASTIC PACKAGE
CASE 710



DW SUFFIX
PLASTIC PACKAGE
CASE 751F
(SO-28L)

PIN CONNECTIONS

Env Det	1	28	I Det
Decoder Input	2	27	L-R Det
Ref	3	26	Q Out
AGC	4	25	VCC
IF Input	5	24	Loop Filter
SS	6	23	Blend
Filtered Left Out	7	22	GND
Left Notch In	8	21	Stereo Lamp
Feedback	9	20	Osc Feedback
Unfiltered L _{out}	10	19	Osc In
Unfiltered R _{out}	11	18	Pilot Det In
Feedback	12	17	I Pilot
Right Notch In	13	16	Q Pilot
Filtered Right Out	14	15	CMOS SS Out

(Top View)

ORDERING INFORMATION

Device	Operating Temperature Range	Package
MC13022AP	T _A = -40° to +85°C	Plastic Power
MC13022ADW		SO-28L

MC13022A

MAXIMUM RATINGS

Rating	Symbol	Value	Unit
Power Supply Input Voltage	V_{CC}	12	Vdc
Stereo Indicator Lamp Current (Pin 21)	–	30	mAdc
Operating Ambient Temperature	T_A	–40 to +85	°C
Storage Temperature Range	T_{stg}	–65 to +150	°C
Operating Junction Temperature	$T_{J(max)}$	150	°C
Power Dissipation Derate above 25°C	P_D	1.25 10	W mW/°C

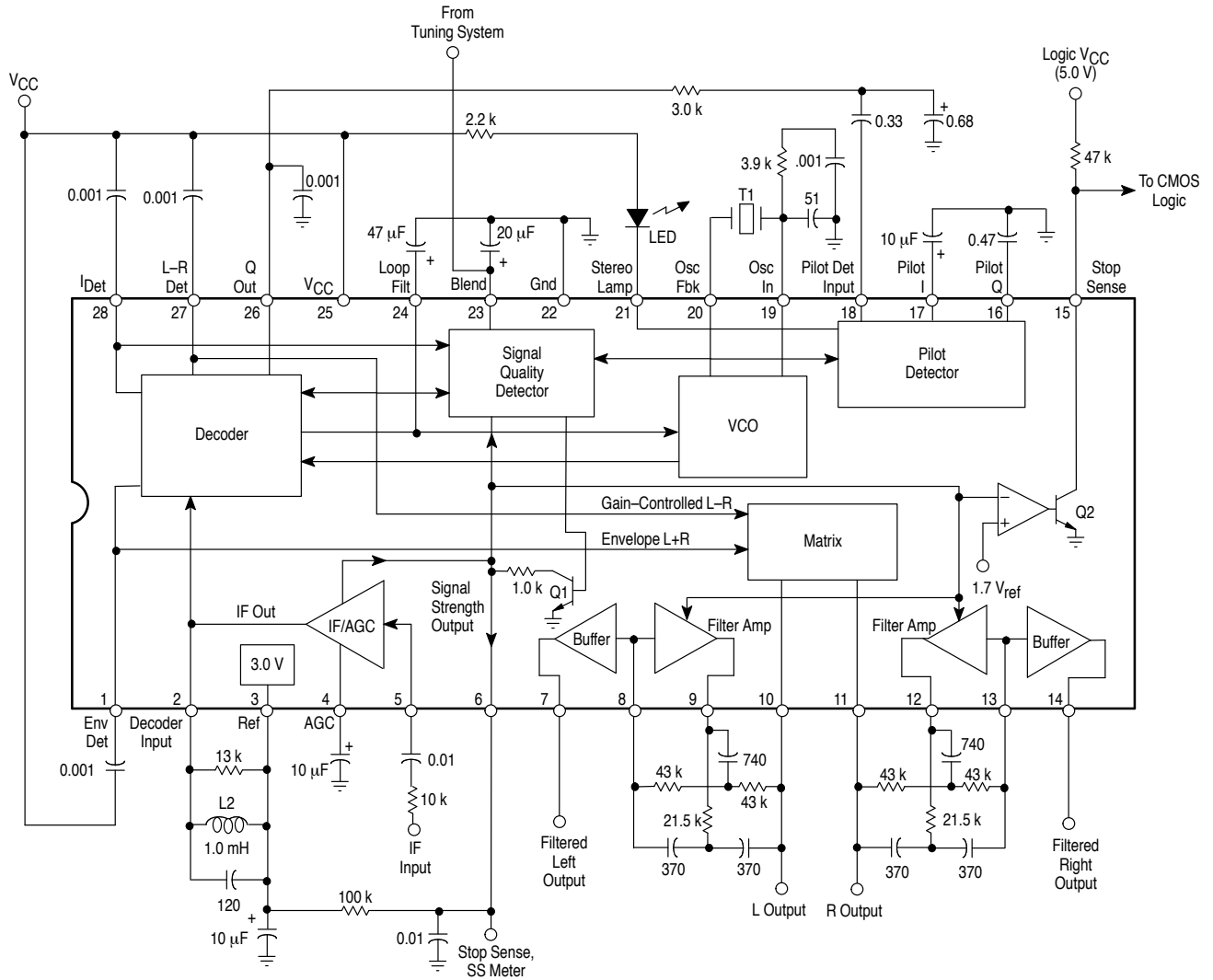
NOTE: ESD data available upon request.

ELECTRICAL CHARACTERISTICS ($V_{CC} = 8.0$ V, $T_A = 25^\circ\text{C}$, Test Circuit of Figure NO TAG, unless otherwise noted.)

Characteristic	Min	Typ	Max	Unit
Power Supply Operating Range	6.0	8.0	10	Vdc
Supply Line Current Drain (Pin 25)	10	20	25	mAdc
Minimum Input Signal Level, Unmodulated for Full Operation (Pin 5)	–	5.0	–	mVrms
Audio Output Level, 50% Modulation, L only or R only (Pins 10, 11) Stereo	290	400	530	mVrms
Audio Output Level, 50% Modulation (Pins 10, 11) Monaural	140	200	265	mVrms
Output THD, 50% Modulation Monaural	–	0.3	0.8	%
Output THD, 50% Modulation Stereo	–	0.5	1.6	%
Channel Separation, L only or R only, 50% Modulation Stereo	22	35	–	dB
Pilot Acquisition Time Following Blend Reset to 0.3 Vdc	–	–	600	ms
Audio Output Impedance at 1.0 kHz (Pins 7, 14)	–	300	–	Ω
Stereo Indicator Lamp Pin Saturation Voltage at 3.0 mA Load Current (V_{sat} Pin 21)	–	–	200	mVdc
Stereo Indicator Lamp Pin Leakage Current (Pin 21)	–	–	1.0	μAdc
Oscillator Capture Range	–	± 3.0	–	kHz

MC13022A

Figure 1. Test Circuit



T1 – Ceramic Resonator muRata
CSA 3.60 MGF103
L2 – Miller 9230-92

- NOTES:**
1. Q1 is switched on when the Blend Pin 23 is externally held low and the signal is weak or has 110% negative modulation. In this condition Q1 pulls Pin 6 low (0.25 to 1.3 V). At all other times, Pin 6 follows the curve in Figure NO TAG.
 2. Q2 (Pin 15) is switched on when Pin 6 voltage is below 1.7 V. Q2 could then be used as a logic output to the tuning system, telling the tuning system to continue searching for a good signal.
 3. User is cautioned not to require more than 1.0 mA from Pin 6.

EXPLANATION OF FEATURES

Blend and Noise Reduction

Although AM stereo does not have the extreme difference in S/N between mono and stereo that FM does (typically less than 3.0 dB versus greater than 20 dB for FM), sudden switching between mono and stereo is quite apparent. Some forms of interference such as co-channel have a large L-R component that makes them more annoying than would ordinarily be expected for the measured level. The MC13022A measures the interference level and reduces L-R as interference increases, blending smoothly to monaural. The pilot indicator remains on as long as a pilot signal is detected, even when interference is severe, to minimize annoying pilot light flickering.

Signal Strength

A dc voltage proportional to the log of signal strength is provided at Pin 6. This can be used for signal strength indication, and it directly controls the post detection filter. Normal operation is above 2.2 V as shown in Figure NO TAG.

Stop Sense

The signal strength information is multiplexed with the stop sense signal. The stop sense is activated when scanning by externally pulling the blend, Pin 23, below 0.3 V. This would typically be done from the mute line in a frequency synthesizer.

If at any time Pin 23 is low and there is either no signal in the IF or a noisy signal of a predetermined interference level, Pins 6 and 15 will go low. This low can be used to tell

the frequency synthesizer to immediately scan to the next channel. The interference detection prevents stopping on many unlistenable stations, a feature particularly useful at night when many frequencies may have strong signals from multiple co-channel stations. Pin 6 drives a comparator which has a 1.7 V reference. Therefore the comparator output, Pin 15, is low if Pin 6 is <1.7 V and high if Pin 6 is >1.7 V.

IF Bandwidth Control

IF AGC attenuates the signal by shunting the signal at the IF input. This widens the IF bandwidth by decreasing the loaded Q of the input coupling coil as signal strength increases.

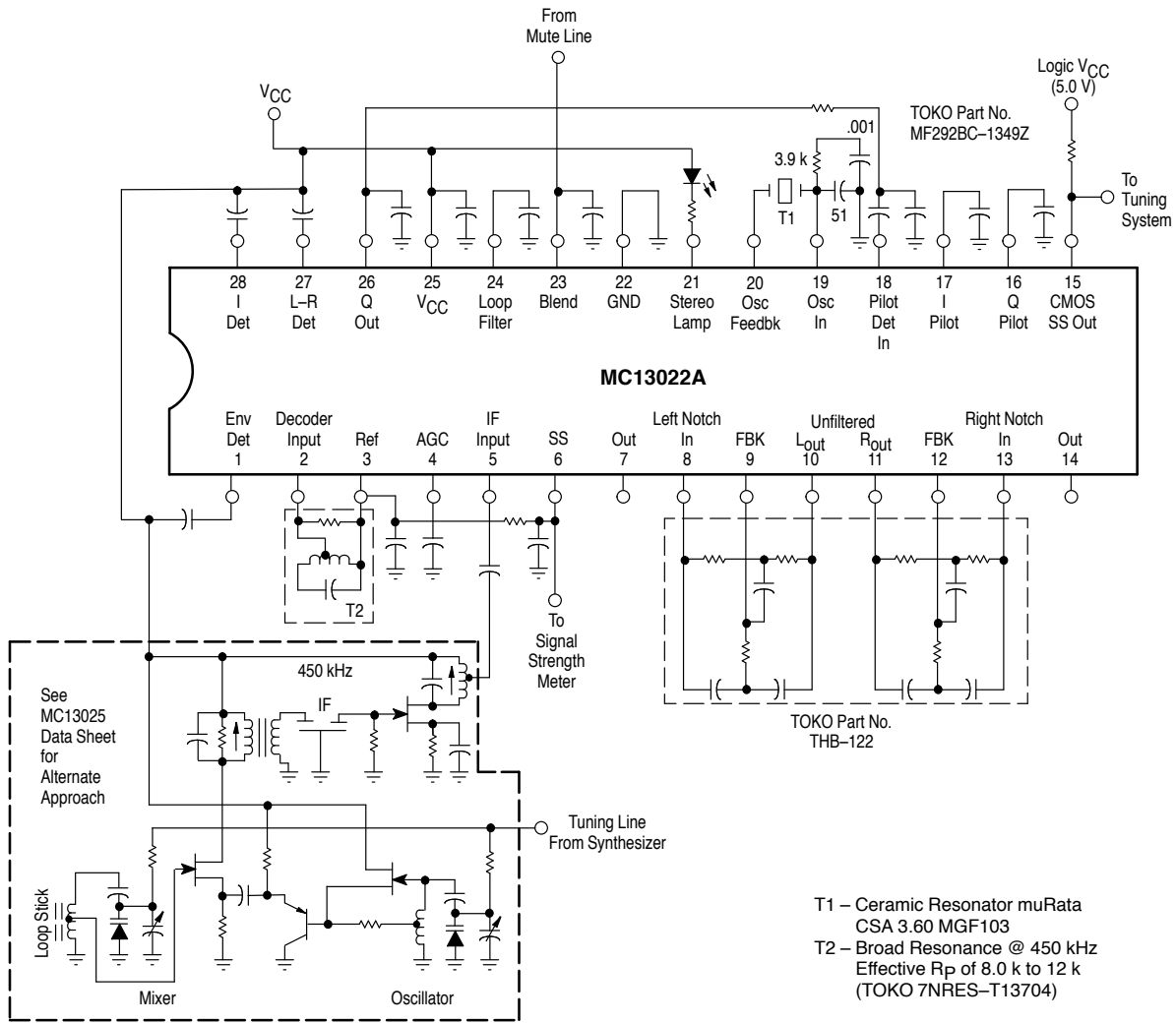
Post Detection Filtering

With weak, noisy signals, high frequency rolloff greatly improves the sound. Conventional tone controls do not attenuate the highs sufficiently to control noise without also significantly affecting the mid-range. Also, notch filters are necessary with any wide-band AM radio to eliminate the 10 kHz whistle from adjacent stations.

By using a twin-T filter with variable feedback to the normally grounded center leg, a variable Q notch filter is formed that provides both the 10 kHz notch and variable high frequency rolloff functions. Typical range of response is shown in Figure NO TAG. Response is controlled by Pin 6 for automatic audio bandwidth control as a function of signal strength.

MC13022A

Figure 2. High Performance Home Type AM Stereo Receiver



- T1 – Ceramic Resonator muRata
CSA 3.60 MGF103
- T2 – Broad Resonance @ 450 kHz
Effective R_p of 8.0 k to 12 k
(TOKO 7NRES-T13704)

Figure 3. Overall Selectivity of a Typical Receiver versus Filter Control Voltage

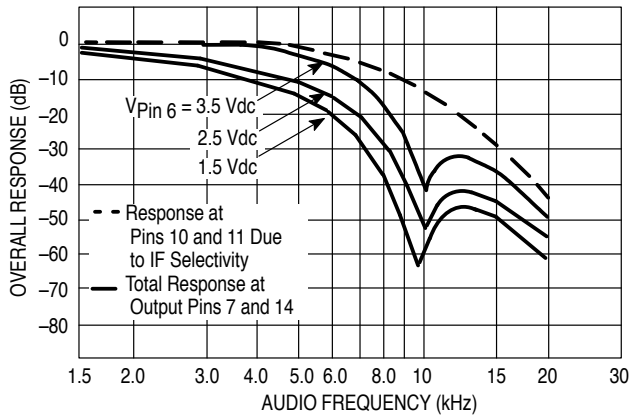
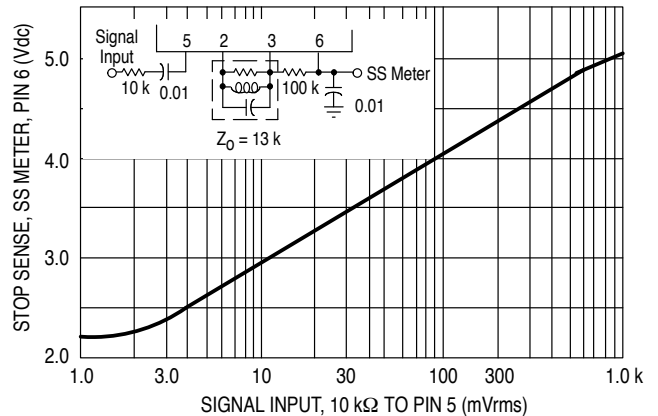


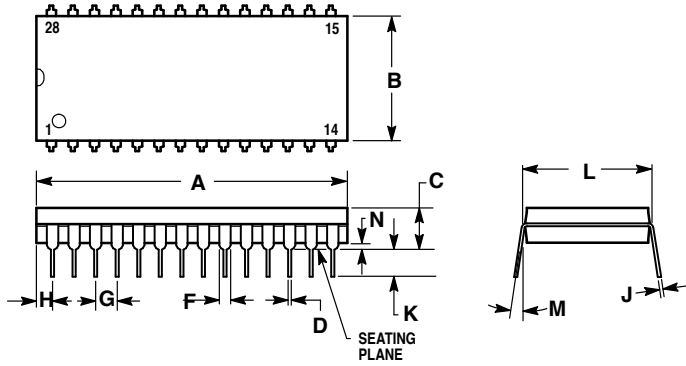
Figure 4. Strength Output versus Input Signal



MC13022A

OUTLINE DIMENSIONS

P SUFFIX PLASTIC PACKAGE CASE 710-02 ISSUE B

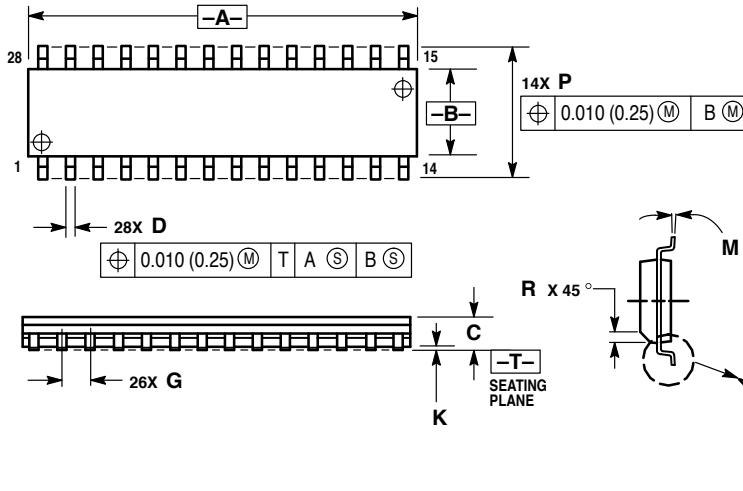


NOTES:

1. POSITIONAL TOLERANCE OF LEADS (D), SHALL BE WITHIN 0.25 (0.010) AT MAXIMUM MATERIAL CONDITION, IN RELATION TO SEATING PLANE AND EACH OTHER.
2. DIMENSION L TO CENTER OF LEADS WHEN FORMED PARALLEL.
3. DIMENSION B DOES NOT INCLUDE MOLD FLASH.

DIM	MILLIMETERS		INCHES	
	MIN	MAX	MIN	MAX
A	36.45	37.21	1.435	1.465
B	13.72	14.22	0.540	0.560
C	3.94	5.08	0.155	0.200
D	0.36	0.56	0.014	0.022
F	1.02	1.52	0.040	0.060
G	2.54 BSC		0.100 BSC	
H	1.65	2.16	0.065	0.085
J	0.20	0.38	0.008	0.015
K	2.92	3.43	0.115	0.135
L	15.24 BSC		0.600 BSC	
M	0°	15°	0°	15°
N	0.51	1.02	0.020	0.040


DW SUFFIX PLASTIC PACKAGE CASE 751F-04 (SO-28L) ISSUE E



NOTES:

1. DIMENSIONING AND TOLERANCING PER ANSI Y14.5M, 1982.
2. CONTROLLING DIMENSION: MILLIMETER.
3. DIMENSION A AND B DO NOT INCLUDE MOLD PROTRUSION.
4. MAXIMUM MOLD PROTRUSION 0.15 (0.006) PER SIDE.
5. DIMENSION D DOES NOT INCLUDE DAMBAR PROTRUSION. ALLOWABLE DAMBAR PROTRUSION SHALL BE 0.13 (0.005) TOTAL IN EXCESS OF D DIMENSION AT MAXIMUM MATERIAL CONDITION.

DIM	MILLIMETERS		INCHES	
	MIN	MAX	MIN	MAX
A	17.80	18.05	0.701	0.711
B	7.40	7.60	0.292	0.299
C	2.35	2.65	0.093	0.104
D	0.35	0.49	0.014	0.019
F	0.41	0.90	0.016	0.035
G	1.27 BSC		0.050 BSC	
J	0.23	0.32	0.009	0.013
K	0.13	0.29	0.005	0.011
M	0°	8°	0°	8°
P	10.01	10.55	0.395	0.415
R	0.25	0.75	0.010	0.029

Motorola reserves the right to make changes without further notice to any products herein. Motorola makes no warranty, representation or guarantee regarding the suitability of its products for any particular purpose, nor does Motorola assume any liability arising out of the application or use of any product or circuit, and specifically disclaims any and all liability, including without limitation consequential or incidental damages. "Typical" parameters which may be provided in Motorola data sheets and/or specifications can and do vary in different applications and actual performance may vary over time. All operating parameters, including "Typicals" must be validated for each customer application by customer's technical experts. Motorola does not convey any license under its patent rights nor the rights of others. Motorola products are not designed, intended, or authorized for use as components in systems intended for surgical implant into the body, or other applications intended to support or sustain life, or for any other application in which the failure of the Motorola product could create a situation where personal injury or death may occur. Should Buyer purchase or use Motorola products for any such unintended or unauthorized application, Buyer shall indemnify and hold Motorola and its officers, employees, subsidiaries, affiliates, and distributors harmless against all claims, costs, damages, and expenses, and reasonable attorney fees arising out of, directly or indirectly, any claim of personal injury or death associated with such unintended or unauthorized use, even if such claim alleges that Motorola was negligent regarding the design or manufacture of the part. Motorola and  are registered trademarks of Motorola, Inc. Motorola, Inc. is an Equal Opportunity/Affirmative Action Employer.

MC13022A

How to reach us:

USA/EUROPE/Locations Not Listed: Motorola Literature Distribution;
P.O. Box 20912; Phoenix, Arizona 85036. 1-800-441-2447 or 602-303-5454

MFAX: RMFAX0@email.sps.mot.com – TOUCHTONE 602-244-6609
INTERNET: <http://Design-NET.com>

JAPAN: Nippon Motorola Ltd.; Tatsumi-SPD-JLDC, 6F Seibu-Butsuryu-Center,
3-14-2 Tatsumi Koto-Ku, Tokyo 135, Japan. 03-81-3521-8315

ASIA/PACIFIC: Motorola Semiconductors H.K. Ltd.; 8B Tai Ping Industrial Park,
51 Ting Kok Road, Tai Po, N.T., Hong Kong. 852-26629298



MOTOROLA



MC13022A/D

